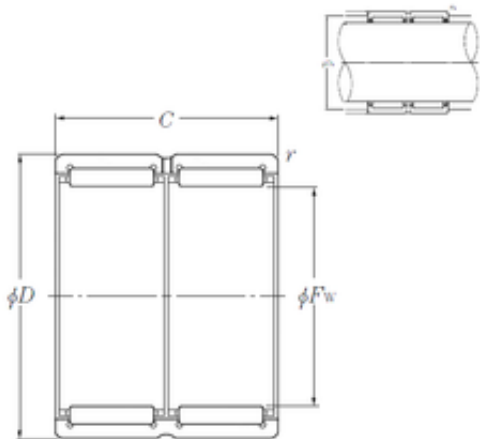




USK BEARING COMPANY

NTN RNA6906R Needle roller bearing-without inner ring



Bearing No. RNA6906R

Size	35x47x30 mm
Bore Diameter	35 mm
Outer Diameter	47 mm
Width	30 mm
Fw	35 mm
D	47 mm
C	30 mm
r min.	0,3 mm
Da max.	45 mm
ra max.	0,3 mm
Weight	0,126 Kg
Basic dynamic load rating (C)	42,5 kN
Basic static load rating (C0)	67,5 kN
(Grease) Lubrication Speed	7500 r/min
rs min	0.3 mm
Dw	4 mm
Lw	25.4 mm
Lubrication hole on outer ring	Oui/Yes
k	3 mm
Radial clearance class	CN
Precision class	P0
Mass	0.13 kg
Cr	42.5 kN
C0r	67.5 kN

RNA6906R Bearing 2D drawings and 3D CAD models



USK BEARING COMPANY

Nlim (grease)	7,500 rpm
Nlim (oil)	11,000 rpm
Min operating temperature, Tmin	-20 ° C
Max operating temperature, Tmax	120 ° C
Characteristic cage frequency, FTF	0.45 Hz
Characteristic rolling element frequency, BSF	9.65 Hz
Characteristic outer ring frequency, BPF0	8.08 Hz
Characteristic inner ring frequency, BRFI	9.92 Hz
Da max	45 mm
ras max	0.3 mm
Category	Roller Bearings
Inventory	0.0
Manufacturer Name	NTN
Minimum Buy Quantity	N/A
Weight / Kilogram	0.123
Product Group	B04144