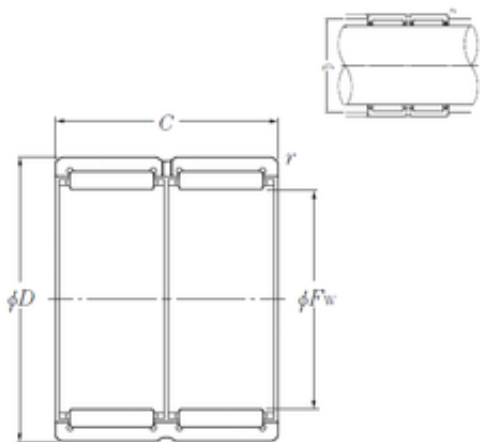




USK BEARING COMPANY

NTN RNA6904R Needle roller bearing-without inner ring



Bearing No. RNA6904R

| | |
|--------------------------------|-------------|
| Size | 25x37x30 mm |
| Bore Diameter | 25 mm |
| Outer Diameter | 37 mm |
| Width | 30 mm |
| Fw | 25 mm |
| D | 37 mm |
| C | 30 mm |
| r min. | 0,3 mm |
| Da max. | 35 mm |
| ra max. | 0,3 mm |
| Weight | 0,1 Kg |
| Basic dynamic load rating (C) | 36,5 kN |
| Basic static load rating (C0) | 50,5 kN |
| (Grease) Lubrication Speed | 11000 r/min |
| rs min | 0.3 mm |
| Dw | 4 mm |
| Lw | 25.4 mm |
| Lubrication hole on outer ring | Oui/Yes |
| k | 2.5 mm |
| Radial clearance class | CN |
| Precision class | P0 |
| Mass | 0.1 kg |
| Cr | 36.5 kN |
| C0r | 50.5 kN |

RNA6904R Bearing 2D drawings and 3D CAD models



USK BEARING COMPANY

| | |
|---|------------|
| Nlim (grease) | 11,000 rpm |
| Nlim (oil) | 16,000 rpm |
| Min operating temperature, Tmin | -20 ° C |
| Max operating temperature, Tmax | 120 ° C |
| Characteristic cage frequency, FTF | 0.43 Hz |
| Characteristic rolling element frequency, BSF | 7.11 Hz |
| Characteristic outer ring frequency, BPF0 | 6.03 Hz |
| Characteristic inner ring frequency, BRFI | 7.97 Hz |
| Da max | 35 mm |
| ras max | 0.3 mm |
| Category | Bearings |
| Inventory | 0.0 |
| Manufacturer Name | NTN |
| Minimum Buy Quantity | N/A |
| Weight / Kilogram | 0.094 |
| Product Group | B04144 |