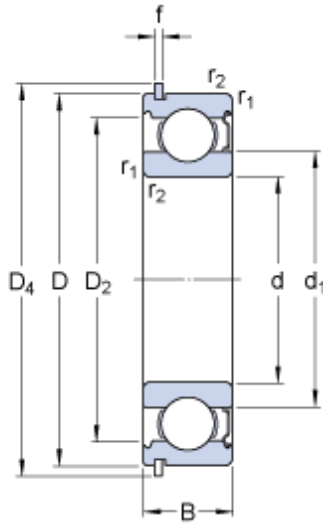
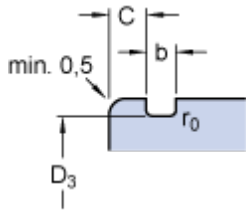




USK BEARING COMPANY



25 mm x 62 mm x 17 mm skf 6305-ZNR Deep groove ball bearings

Bearing No. 6305-ZNR

6305-ZNR Bearing 2D drawings and 3D CAD models

Size	62x25x17 mm
Bore Diameter	62 mm
Outer Diameter	25 mm
Width	17 mm
d	25 mm
D	62 mm
B	17 mm
d ₁	36.6 mm
D ₂	52.7 mm
D ₃	59.61 mm
D ₄	67.7 mm
b	1.9 mm
C	3.28 mm
f	1.7 mm
r ₀	0.6 mm
r _{1,2} - min.	1.1 mm
d _a - min.	32 mm
d _a - max.	36.5 mm
D _a - max.	55 mm
D _b - min.	69 mm
b _a - min.	2.2 mm
C _a - max.	4.98 mm
r _a - max.	1 mm
Basic dynamic load rating - C	23.4 kN



USK BEARING COMPANY

Basic static load rating - C_0	11.6 kN
Fatigue load limit - P_u	0.49 kN
Reference speed	24000 r/min
Limiting speed	16000 r/min
Calculation factor - k_r	0.03
Calculation factor - f_0	12
Mass bearing	0.237 kg
Category	Single Row Ball Bearings
Inventory	0.0
Manufacturer Name	SKF
Minimum Buy Quantity	N/A
Weight / Kilogram	0
Product Group	B00308
Enclosure	1 Metal Shield
Precision Class	ABEC 1 ISO P0
Maximum Capacity / Filling Slot	No
Rolling Element	Ball Bearing
Snap Ring	Yes
Internal Special Features	No
Cage Material	Steel
Internal Clearance	C0-Medium
Inch - Metric	Metric
Long Description	25MM Bore; 62MM Outside Diameter; 17MM Outer Race Width; 1 Metal Shield; Ball Bearing; ABEC 1 ISO P0; No Filling Slot; Yes Snap Ring; No Internal Special Features; C0-Medium Internal Clearance; Steel
Other Features	Deep Groove With Snap Ring
Category	Single Row Ball Bearing



USK BEARING COMPANY

UNSPSC	31171504
Harmonized Tariff Code	8482.10.50.68
Noun	Bearing
Keyword String	Ball
Manufacturer URL	http://www.skf.com
Manufacturer Item Number	6305-ZNR
Weight / LBS	0.52
Outside Diameter	2.441 Inch 62 Millimeter
Outer Race Width	0.669 Inch 17 Millimeter
Inner Race Width	0 Inch 0 Millimeter
Bore	0.984 Inch 25 Millimeter
d_1	36.6 mm
D_2	52.7 mm
D_3	59.61 mm
D_4	67.7 mm
r_0 max.	0.6 mm
$r_{1,2}$ min.	1.1 mm
d_a min.	32 mm
d_a max.	36.5 mm
D_a max.	55 mm
D_b min.	69 mm
b_a min.	2.2 mm
C_a max.	4.98 mm
r_a max.	1 mm
Basic dynamic load rating C	23.4 kN
Basic static load rating C_0	11.6 kN
Fatigue load limit P_u	0.49 kN
Calculation factor k_r	0.03
Calculation factor f_0	12
Snap ring	SP 62