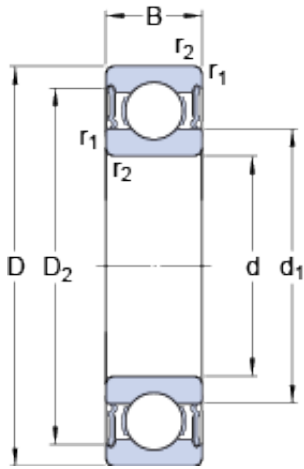




USK BEARING COMPANY



20 mm x 47 mm x 18 mm skf 62204-2RS1 Deep groove ball bearings

Bearing No. 62204-2RS1

62204-2RS1 Bearing 2D drawings and 3D CAD models

Size	47x20x18 mm
Bore Diameter	47 mm
Outer Diameter	20 mm
Width	18 mm
d	20 mm
D	47 mm
B	18 mm
d ₁	28.8 mm
D ₂	40.59 mm
r _{1,2} - min.	1 mm
d _a - min.	25.6 mm
d _a - max.	28.7 mm
D _a - max.	41.4 mm
r _a - max.	1 mm
Basic dynamic load rating - C	12.7 kN
Basic static load rating - C ₀	6.6 kN
Fatigue load limit - P _u	0.28 kN
Limiting speed	10000 r/min
Calculation factor - k _r	0.025
Calculation factor - f ₀	13
Category	Single Row Ball Bearings
Inventory	0.0
Manufacturer Name	SKF
Minimum Buy Quantity	N/A



USK BEARING COMPANY

Weight / Kilogram	0.144
Product Group	B00308
Enclosure	2 Seals
Precision Class	ABEC 1 ISO P0
Maximum Capacity / Filling Slot	No
Rolling Element	Ball Bearing
Snap Ring	No
Internal Special Features	No
Cage Material	Steel
Enclosure Type	Contact Seal
Internal Clearance	C0-Medium
Inch - Metric	Metric
Long Description	20MM Bore; 47MM Outside Diameter; 18MM Outer Race Diameter; 2 Seals; Ball Bearing; ABEC 1 ISO P0; No Filling Slot; No Snap Ring; No Internal Special Features
Other Features	Cartridge Bearing
Category	Single Row Ball Bearing
UNSPSC	31171504
Harmonized Tariff Code	8482.10.50.68
Noun	Bearing
Keyword String	Ball
Manufacturer URL	http://www.skf.com
Manufacturer Item Number	62204-2RS1
Weight / LBS	0.314
Outside Diameter	1.85 Inch 47 Millimeter
Outer Race Width	0.709 Inch 18 Millimeter
Bore	0.787 Inch 20 Millimeter
bore diameter:	20 mm
static load capacity:	6.55 kN



USK BEARING COMPANY

outside diameter:	47 mm
precision rating:	ABEC 3 (ISO Class 6)
overall width:	18 mm
finish/coating:	Uncoated
bore type:	Round
cage material:	Steel
closure type:	Double Sealed
outer ring width:	18 mm
row type & fill slot:	Single Row Non-Fill Slot
fillet radius:	1 mm
internal clearance:	C0
maximum rpm:	10000 RPM
operating temperature range:	-40 to +210 ° F
series:	62
dynamic load capacity:	12.7 kN
d_1	28.8 mm
D_2	40.59 mm
$r_{1,2}$ min.	1 mm
d_a min.	25.6 mm
d_a max.	28.7 mm
D_a max.	41.4 mm
r_a max.	1 mm
Basic dynamic load rating C	12.7 kN
Basic static load rating C_0	6.55 kN
Fatigue load limit P_u	0.28 kN
Calculation factor k_r	0.025
Calculation factor f_0	13
Mass bearing	0.13 kg