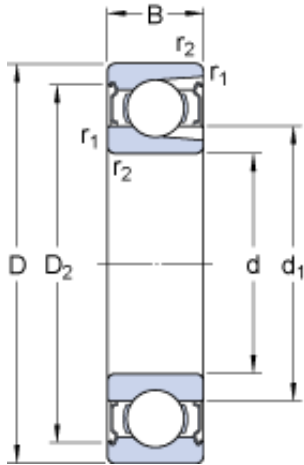




# USK BEARING COMPANY



45 mm x 85 mm x 19 mm skf 209-2Z Deep groove ball bearings

Bearing No. 209-2Z

209-2Z Bearing 2D drawings and 3D CAD models

Size	85x45x19 mm
Bore Diameter	85 mm
Outer Diameter	45 mm
Width	19 mm
d	45 mm
D	85 mm
B	19 mm
d <sub>1</sub>	57.6 mm
D <sub>2</sub>	75.19 mm
r <sub>1,2</sub> - min.	1.1 mm
d <sub>a</sub> - min.	52 mm
d <sub>a</sub> - max.	57.5 mm
D <sub>a</sub> - max.	78 mm
r <sub>a</sub> - max.	1 mm
Basic dynamic load rating - C	35.2 kN
Basic static load rating - C <sub>0</sub>	30 kN
Fatigue load limit - P <sub>u</sub>	1.3 kN
Reference speed	14000 r/min
Limiting speed	6800 r/min
Calculation factor - k <sub>r</sub>	0.04
Category	Single Row Ball Bearings
Inventory	0.0
Manufacturer Name	SKF
Minimum Buy Quantity	N/A



# USK BEARING COMPANY

Weight / Kilogram	0.474
Product Group	B00308
Enclosure	2 Metal Shields
Precision Class	ABEC 1   ISO P0
Maximum Capacity / Filling Slot	Yes
Rolling Element	Ball Bearing
Snap Ring	No
Internal Special Features	No
Cage Material	Steel
Internal Clearance	C0-Medium
Inch - Metric	Metric
Long Description	45MM Bore; 85MM Outside Diameter; 19MM Outer Race Diameter; 2 Metal Shields; Ball Bearing; ABEC 1   ISO P0; Yes Filling Slot; No Snap Ring; No Internal Special Features
Category	Single Row Ball Bearing
UNSPSC	31171504
Harmonized Tariff Code	8482.10.50.68
Noun	Bearing
Keyword String	Ball
Manufacturer URL	<a href="http://www.skf.com">http://www.skf.com</a>
Manufacturer Item Number	209 2Z
Weight / LBS	0.99
Outside Diameter	3.346 Inch   85 Millimeter
Bore	1.772 Inch   45 Millimeter
Outer Race Width	0.748 Inch   19 Millimeter
bore diameter:	45 mm
static load capacity:	30 kN
outside diameter:	85 mm
precision rating:	ABEC 3 (ISO Class 6)



## USK BEARING COMPANY

overall width:	19 mm
finish/coating:	Uncoated
bore type:	Round
cage material:	Steel
closure type:	Double Shielded
outer ring width:	19 mm
row type & fill slot:	Single Row Filling Slot
fillet radius:	1 mm
snap ring included:	Without Snap Ring
maximum rpm:	8500 RPM
internal clearance:	C0
series:	20
dynamic load capacity:	35.2 kN
thrust application warning:	This product can not be used in Thrust Applications
$d_1$	57.6 mm
$D_2$	75.19 mm
$r_{1,2}$ min.	1.1 mm
$d_a$ min.	52 mm
$d_a$ max.	57.5 mm
$D_a$ max.	78 mm
$r_a$ max.	1 mm
Basic dynamic load rating C	35.2 kN
Basic static load rating $C_0$	30 kN
Fatigue load limit $P_u$	1.27 kN
Calculation factor $k_r$	0.04
Mass bearing	0.44 kg